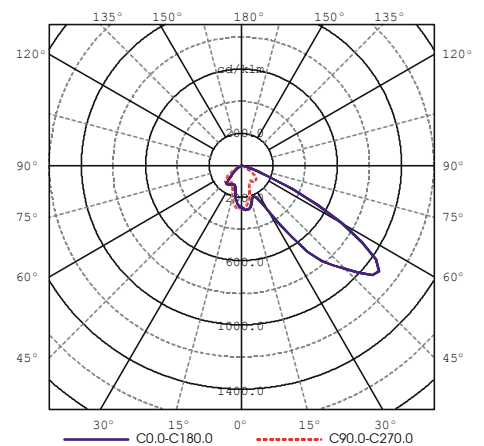
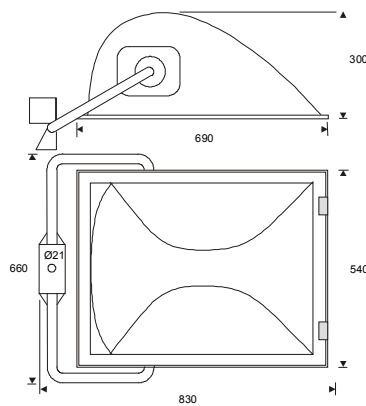


FLOODLIGHT AEROLUX TYPE EGALUX 2000



Technical data

Weight: 14 kg
 Wind area: 0,15 m² ; C_w = 0,90
 Protection class: I ; Ingress protection: IP65
 Tested according to standard EN 60598

Applications

Tennis courts
 Sports areas
 Industrial areas
 Harbours

Specifications

Ultra high efficiency of 80% which is 30% higher than existing asymmetrical floodlights!
 Integrated electronic ignitor
 Very flat asymmetrical optics (I_{max} = 55°) absolutely low glare
 Fully corrosion-proof
 High quality aluminium reflector
 Housing made of anodised aluminium
 Safety glass in anodised aluminium frame with rubber gasket
 Mounting bracket made of hot-dipped galvanised steel
 Stainless steel bolts, hinges and fasteners
 Ballast-units to be ordered separately

Lamp types

HI-TS 2000W/D/L (daylight, 5400 K, Ra=85)
 HI-TS 2000W/N/L (neutral white, 4200K, Ra=65)

Floodlight types

LV 870 (narrow beam)
 LV 860 (wide beam)

Aerolux International BV
 P.O Box 48, 7570 AA Oldenzaal, The Netherlands
 T 0031 541 570357
 F 0031 541 570358
 E info@aerolux.com
 I www.aerolux.com

