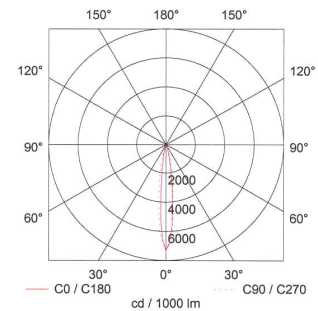
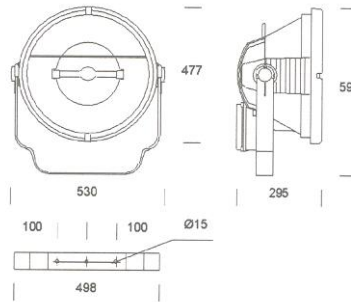


FLOODLIGHT AEROLUX TYPE STADIALUX 2000



Technical data

Weight: 12.5 kg
 Wind area: 0,21 m² ; C_w = 1,00
 Protection class: I ; Ingress protection: IP65
 Tested according to EN 60598

Applications

Stadiums
 Sports areas

Specifications

Symmetrical lighting distribution
 Built-in electronic ignitor
 Fully corrosion-proof
 High quality anodised aluminium reflector
 Housing made of die-cast aluminium enamelled black
 Safety glass
 Mounting bracket made of enamelled steel
 Stainless steel bolts, hinges and fasteners
 Ballast-units to be ordered separately

Lamptypes

HI-TS 2000W/DS (daylight, 6000K, Ra=90)
 HI-TS 2000W/NDL/S (neutral white, 4400K, Ra=85)

Floodlight types

NB (narrow beam)
 MB (medium beam)
 WB (wide beam)

Aerolux International BV
 P.O Box 48, 7570 AA Oldenzaal, The Netherlands
 T 0031 541 570357
 F 0031 541 570358
 E info@aerolux.com
 I www.aerolux.com

