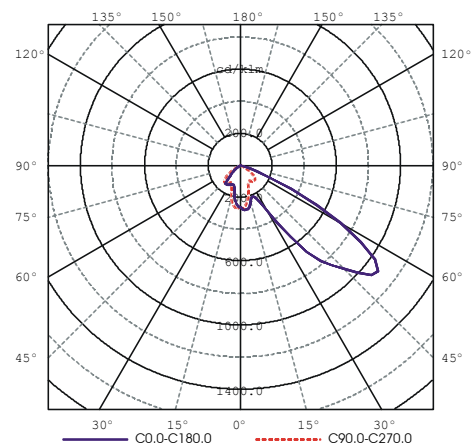
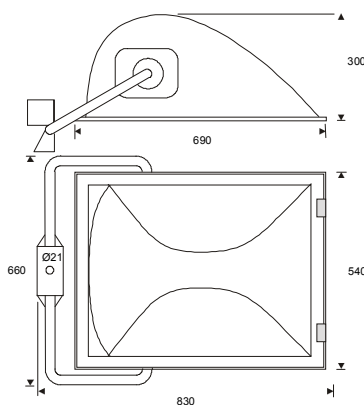


## FLOODLIGHT AEROLUX TYPE EGALUX 2000



### Technical data

Weight: 14 kg  
 Wind area: 0,15 m<sup>2</sup> ; C<sub>w</sub> = 0,90  
 Protection class: I ; Ingress protection: IP65  
 Tested according to standard EN 60598

### Applications

Tennis courts  
 Sports areas  
 Industrial areas  
 Harbours

### Specifications

**Ultra high efficiency of 80% which is 30% higher than existing asymmetrical floodlights!**  
 Integrated electronic ignitor  
 Very flat asymmetrical optics (I<sub>max</sub> = 55°) absolutely low glare  
 Fully corrosion-proof  
 High quality aluminium reflector  
 Housing made of anodised aluminium  
 Safety glass in anodised aluminium frame with rubber gasket  
 Mounting bracket made of hot-dipped galvanised steel  
 Stainless steel bolts, hinges and fasteners  
 Ballast-units to be ordered separately

### Lamp types

HI-TS 2000W/D/L (daylight, 5400 K, Ra=85)  
 HI-TS 2000W/N/L (neutral white, 4200K, Ra=65)

### Floodlight types

LV 870 (narrow beam)  
 LV 860 (wide beam)

Aerolux International BV  
 P.O Box 48, 7570 AA Oldenzaal, The Netherlands  
 T 0031 541 570357  
 F 0031 541 570358  
 E info@aerolux.com  
 I www.aerolux.com

