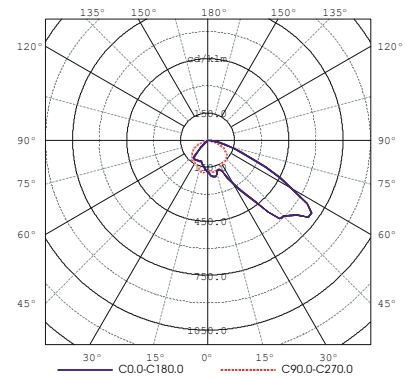
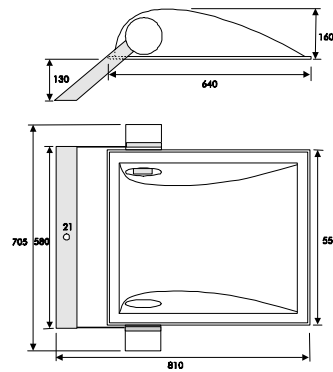
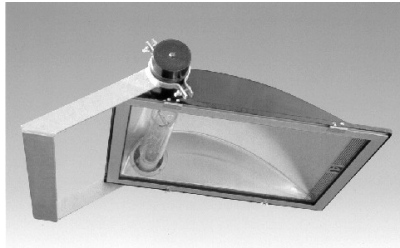


FLOODLIGHT AEROLUX TYPE 400/1000 BU



Technical data

Weight: 11 kg
 Wind area: 0,15 m²; C_w = 0,90
 Protection class: I ; Ingress protection: IP65
 Tested according to standard EN 60598

Applications

Tennis courts
 Sport areas
 Industrial areas
 Storage areas
 Parking lots
 Harbours

Specifications

Flat asymmetrical lighting distribution (I_{max}=50°) minimum glare
 Fully corrosion proof
 Built-in electronic ignitors(s)
 High quality integrated aluminium reflector
 Housing made of anodised aluminium, outside enamelled black (RAL 9005)
 Safety glass in aluminium frame with rubber gasket
 Mounting bracket made of hot-dipped galvanised steel
 Stainless steel bolts, hinges and fasteners
 Ballast-units to be ordered separately

Lamp types

HI-T 400W/D (daylight, 6000K, Ra=90)
 HAI-T 400W/Sc (warm white, 4000K, Ra=65)
 NAV-T 400W (sodium, 2000K, Ra=20)
 HI-T 1000W/D (daylight, 6000K, Ra=90)
 HI-T 1000W/4K (neutral white, 4000K, Ra=68)
 NAV-T (SON-T) 1000W (sodium, 2000K, Ra=20)

Floodlight types

400 BU, with 1 lamp 400W
 2x400 BU, with 2 lampen 400W
 1000 BU, with 1 lamp 1000W

Aerolux International BV
 P.O Box 48, 7570 AA Oldenzaal, The Netherlands
 T 0031 541 570357
 F 0031 541 570358
 E info@aerolux.com
 I www.aerolux.com



AEROLUX INTERNATIONAL
 lighting technology